



CASE 4 x 620 kW Danesi, Italy

## Clean on Site Power ! SCR ON JENBACHER GAS ENGINES

The customer, a manufacturer in northern Italy, was using “relatively” clean natural gas engines for his on site power production. As he needed to lower the emissions more, he chose to work with PCAs NOxMASTER™ technology.

PCA delivered the following:

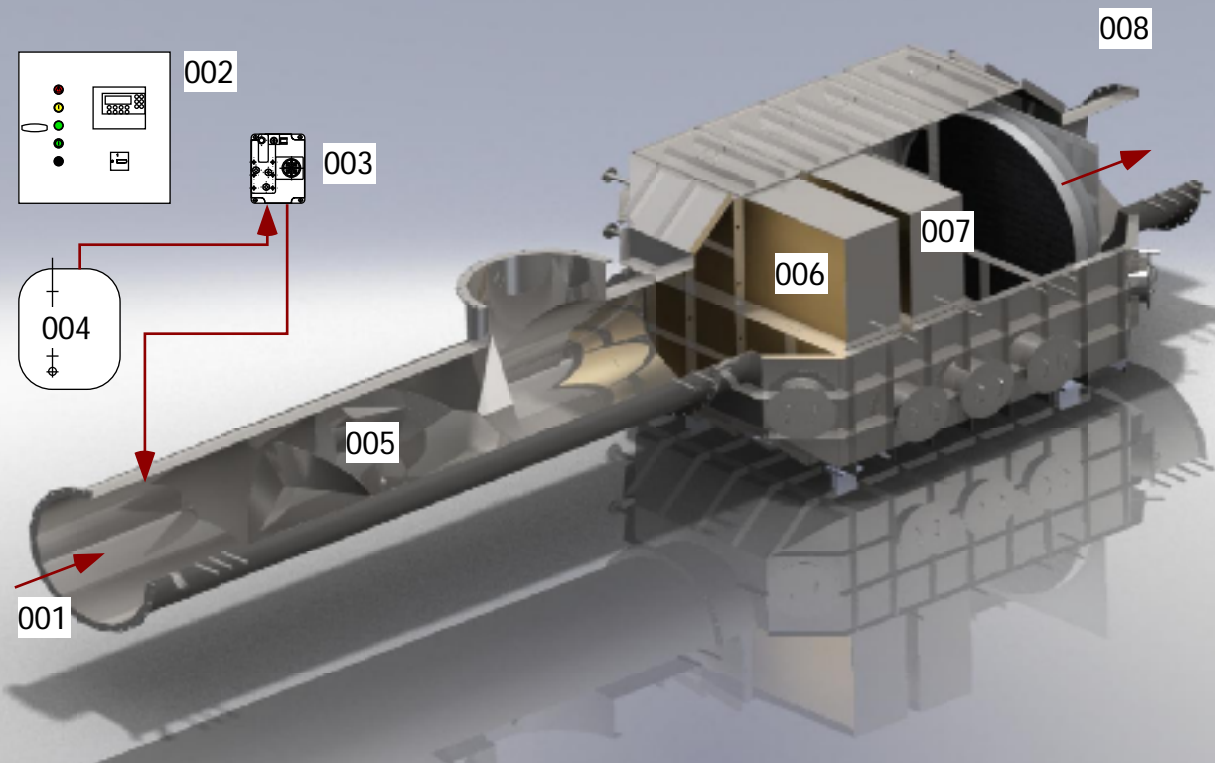
- Control system
- Dosing system
- Injection system
- Mixing system
- Instrumentation
- Catalytic material
- Commissioning



Clean exhaust gases, made possible with PCA NOxMASTER™ SCR.



## NOxMASTER™ and urea tank arrangement



- 001 Inlet
- 002 Control system
- 003 Dosing pump
- 004 Urea tank
- 005 Static Mixer
- 006 SCR catalyst cassettes
- 007 Oxidation catalyst cassettes
- 008 Outlet

Engine: 4 x JGS316GS-N.L  
 Engine power: 4 x 620 kW  
 NOx reduction: 75%  
 CO reduction: 80%

